

# HUCK® INTERACTIVE CD ROM : SPECIFICATIONS

## 2025/2025L

### 2025 Pneudraulic Installation Tool

#### Specifications

*Weight:*

2.61 kg (5.75 lbs.)

*Required Air Pressure:*

6.21-6.9 bar (90-100 psi)

*Air Consumption:*

8.5 CFM (240 l/min) based on  
30 cycles per minute

*Stroke:*

17 mm (0.675")

*Hydraulic Fluid:*

Automatic Transmission Fluid  
DEXTRON II® or equivalent

*Capacity:*

23.53 kN @ 6.21 bar  
(5290 lbs @ 90 psi)

### 2025 L Pneudraulic Installation Tool

#### Specifications

*Weight:*

2.61 kg (5.75 lbs.)

*Required Air Pressure:*

6.21-6.9 bar (90-100 psi)

*Air Consumption:*

8.5 CFM (240 l/min) based on  
30 cycles per minute

*Stroke:*

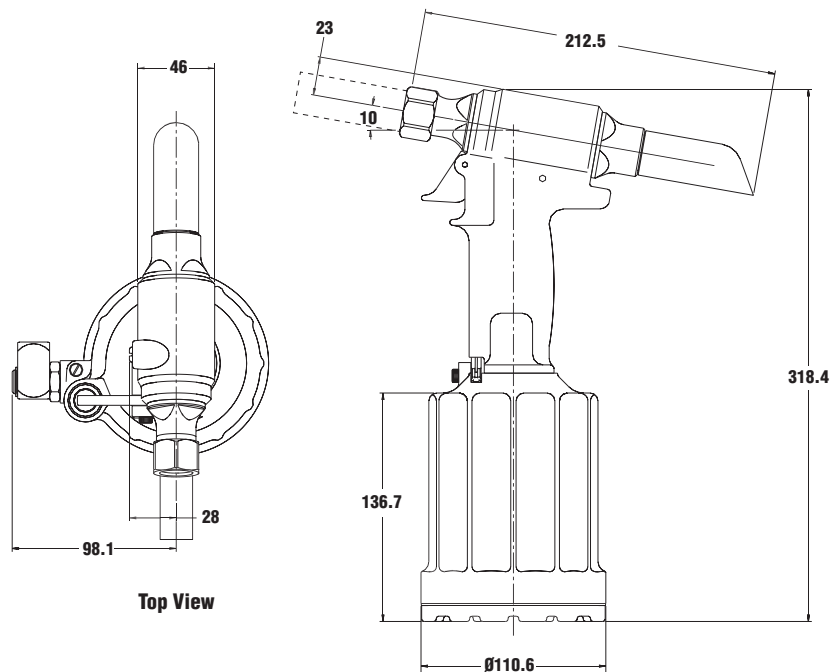
17 mm (0.675")

*Hydraulic Fluid:*

Automatic Transmission Fluid  
DEXTRON II® or equivalent

*Capacity:*

23.53 kN @ 6.21 bar  
(5290 lbs @ 90 psi)



# HUCK® INTERACTIVE CD ROM : NOSE ASSEMBLY TABLE

## 2025/2025L

### Some Fastener and Nose Assemblies for use with the 2025 Tool

Type	Diameter	Nose Assembly
MAGNA-LOK	4.8 mm (3/16")	99-3300, <b>99-3303</b> 99-3304
	6.4 mm (1/4")	99-3301, <b>99-3305</b> 99-3306, 99-3478 (H'Duty)
MAGNA-BULB	4.8 mm (3/16")	99-3300, <b>99-3303</b> 99-3304
	6.4 mm (1/4")	99-3301, <b>99-3305</b> 99-3306, 99-3478 (H'Duty)
AUTO-BULB	4.8 mm (3/16")	99-3300, <b>99-3303</b> 99-3304
	6.4 mm (1/4")	99-3301, <b>99-3305</b> 99-3306, 99-3478 (H'Duty)
MAGNA-TITE	4.8 mm (3/16")	99-3487-6MT
	6.4 mm (1/4")	99-3487-8MT
HUCKLOK	6.4 mm (1/4")	99-3301, <b>99-3305</b> 99-3306, 99-3478 (H'Duty)
C6L NOT WITH 8LC COLLAR	4.8 mm (3/16")	<b>99-3003</b> , 99-3004
	6.4 mm (1/4")	<b>99-3006</b> , 99-3007
MAGNA-GRIP	4.8 mm (3/16")	99-3200, <b>99-1456</b> 99-3202
	6.4 mm (1/4")	99-3203, <b>99-1458, 99-1477</b> 99-3205
HUCKTAINER	9.5 mm (3/8")	<b>99-3464</b>

Items in **bold** are part of our FOCUS Tooling Range

### Some Nose Assemblies & Fasteners for use with the 2025L tool

Type	Diameter	Nose Assembly
MAGNA-LOK	4.8 mm (3/16")	99-3303L
	6.4 mm (1/4")	<b>99-3305L</b> , 99-3478L (H'Duty)
MAGNA-BULB	4.8 mm (3/16")	<b>99-3303L</b> ,
	6.4 mm (1/4")	<b>99-3305L</b> , 99-3478L (H'Duty)
HUCKLOK	6.4 mm (1/4")	<b>99-3305L</b>
AUTO-BULB	4.8 mm (3/16")	<b>99-3303L</b> ,
	6.4 mm (1/4")	99-3478L, <b>99-3305L</b>
MAGNA-TITE	4.8 mm (3/16")	99-3487-6MT
	6.4 mm (1/4")	99-3487-8MT
C6L NOT WITH 8LC COLLAR	4.8 mm (3/16")	<b>99-3003L</b>
	6.4 mm (1/4")	<b>99-3006L</b>
MAGNA-GRIP	4.8 mm (3/16")	<b>99-1456L</b> ,
	6.4 mm (1/4")	<b>99-1458L</b> , 99-1477UK
HUCKTAINER	9.5 mm (3/8")	<b>99-3464L</b>

Items in **bold** are part of our FOCUS Tooling Range